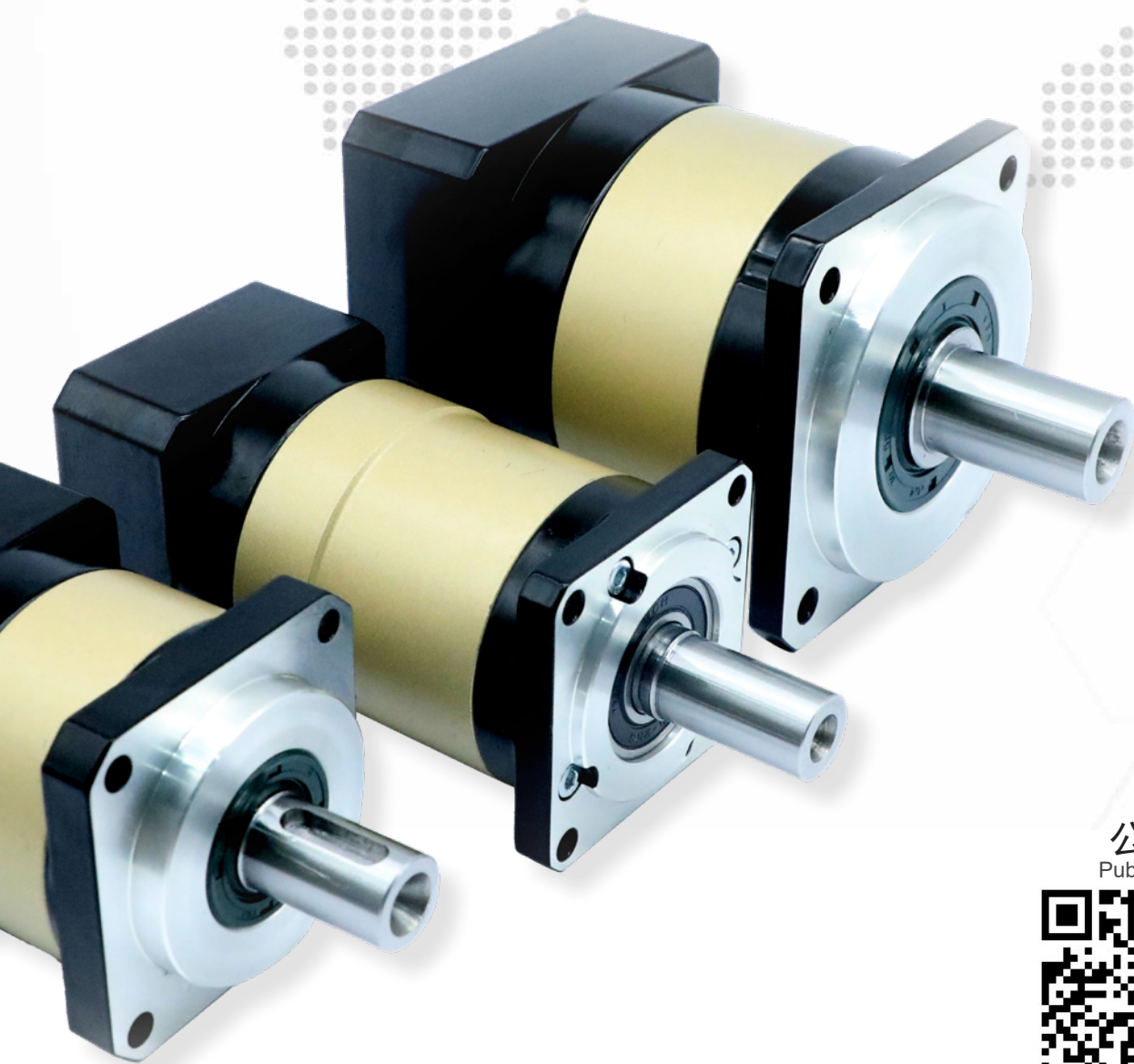


TB Series

TB系列高精度减速箱

High Precision Reduction Gearbox



公众号
Public number



电话/Telephone: 0519-88385510

地址/Address: 江苏省常州市武进区遥观镇勤新村工业集中区
Qinxin Village Industrial Zone, Yaoguan Town, Wujin District,
Changzhou City, Jiangsu Province, China



官方网址

Official website

公司简介 Company Profile

合泰电机位于江苏省常州市，厂房建筑面积为35000多平方米。公司自1998年重组以来，已形成一定的产销规模，具有年生产300多万台电机的生产能力。合泰产品已远销美国、欧洲、东南亚和中国各地。

Hetai Motors is located in Changzhou City, Jiangsu Province, with a factory building area of more than 35,000 square metres. Since its reorganisation in 1998, the company has formed a certain scale of production and marketing, with an annual production capacity of more than 3 million motors. Hetai products have been exported to the United States, Europe, Southeast Asia and all over China.

主要产品范围 Main Product Range

- 无刷电机
- 伺服电机
- 不同种类的齿轮电机
- 混合式步进电机
- 驱动器

- Brushless motors
- Servo motors
- Different types of gear motors
- Hybrid stepper motors
- Drivers

公司优势 Company Advantage

- 成立于1998年，有20多年的行业经验
- 可提供专业的ODM, OEM服务
- 支持定制的大规模生产

- Established in 1998 with over 20 years of industry experience
- Professional ODM, OEM services available
- Support customised mass production

质量管理体系认证 Quality Management System Certification



ISO9001



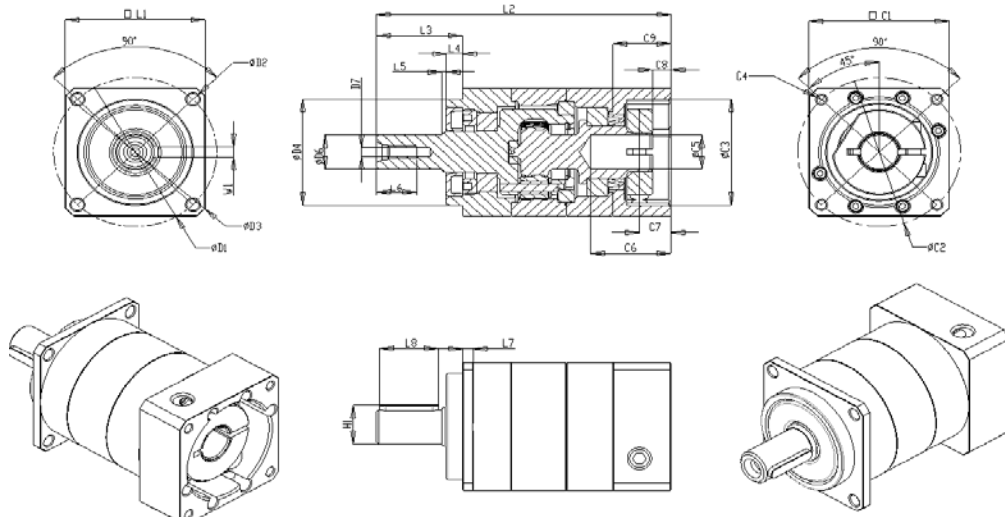
IATF16949

高精度行星减速机外形尺寸表

High Precision Planetary Reducer External Dimensions

外型图

External figure



	尺寸 Size		TB042	TB060	TB090	TB115	TB142
			1-stage 2-stage	1-stage 2-stage	1-stage 2-stage	1-stage 2-stage	1-stage 2-stage
外径 Diameter	D1		50	70	100	130	165
	D2		3.4	5.5	6.5	9	11
	D3		56	80	116	152	185
	D4		35	50	80	110	130
	D6		13	16	22	32	40
	D7		M4X0.7P	M5X0.8P	M8X1.25P	M12X-	M16X2P
	长度 Length	L1		42	60	90	115
L2		88 114	117.5 153.1	158 213.9	199 255.5	270 339.5	
L3		26	37	48	65	91	
L4		5.5	7	10	12	15	
L5		1	2	1.5	2	3	
L6		10	12.5	25	28	36	
L7		5.5	4.5	8	10	12	
L8		16	25	30	40	60	
宽 Width	W1	H9	5	5	6	10	12
高 Heigh	H1		15	18	24.5	35	43
接入口尺寸 Customer size	C1		42	60	80	115	142
	C2		46	70	90	130	165
	C3		30	50	70	110	130
	C4		M4X0.7P	M5X0.8P	M6X1P	M8X-	M10X-
	C5		<12	<16	<24	<32	<38
	C6		26	34.5	41	53	63
	C7		8.75	13.5	9.75	13	15
	C8		3.5	8	4	5	6
	C9		26	19	17	19.5	22.5

高精行星减速机性能参数

High Precision Planetary Reducer Performance Parameters



型号 Size	最大径向力(N) Max radial load F2rb	最大轴向力(N) Max axialload F2rb	噪音(DB) Noise
TB042	610	390	≤60
TB060	1170	590	≤60
TB090	3250	1625	≤63
TB115	6700	4300	≤63
TB142	9400	4700	≤65

性能参数 Performance Parameters	段数 Rank	减速比 Reduction ratio	TB042	TB060	TB090	TB115	TB142
额定输出扭矩 Rated output torque	1	3	18	42	117	187	351
		4	16	45	126	261	516
		5	16	48	141	311	588
		7(8)*	15	45	117	277	539
		10	12	36	114	242	505
	2	15	18	42	117	187	351
		20	16	45	126	261	516
		25	16	48	141	311	588
		30	18	42	117	187	351
		35	16	48	141	311	588
		40	16	45	126	261	516
		50	16	48	141	311	588
		70	15	45	117	277	539
		100	12	36	114	242	505
急停扭矩 Emergency stop torque	1, 2	3~100	3倍额定输出扭矩 3 times rated output torque				
额定输入转速 rpm Rated Input Speed	1, 2	3~100	3000	3000	3000	2000	2000
最大输入转速 rpm Max input speed	1, 2	3~100	5000	5000	5000	4000	3000
效率 Efficiency %	1	3~100	≥97%	≥97%	≥97%	≥97%	≥97%
	2	15~100	≥95%	≥95%	≥95%	≥95%	≥95%